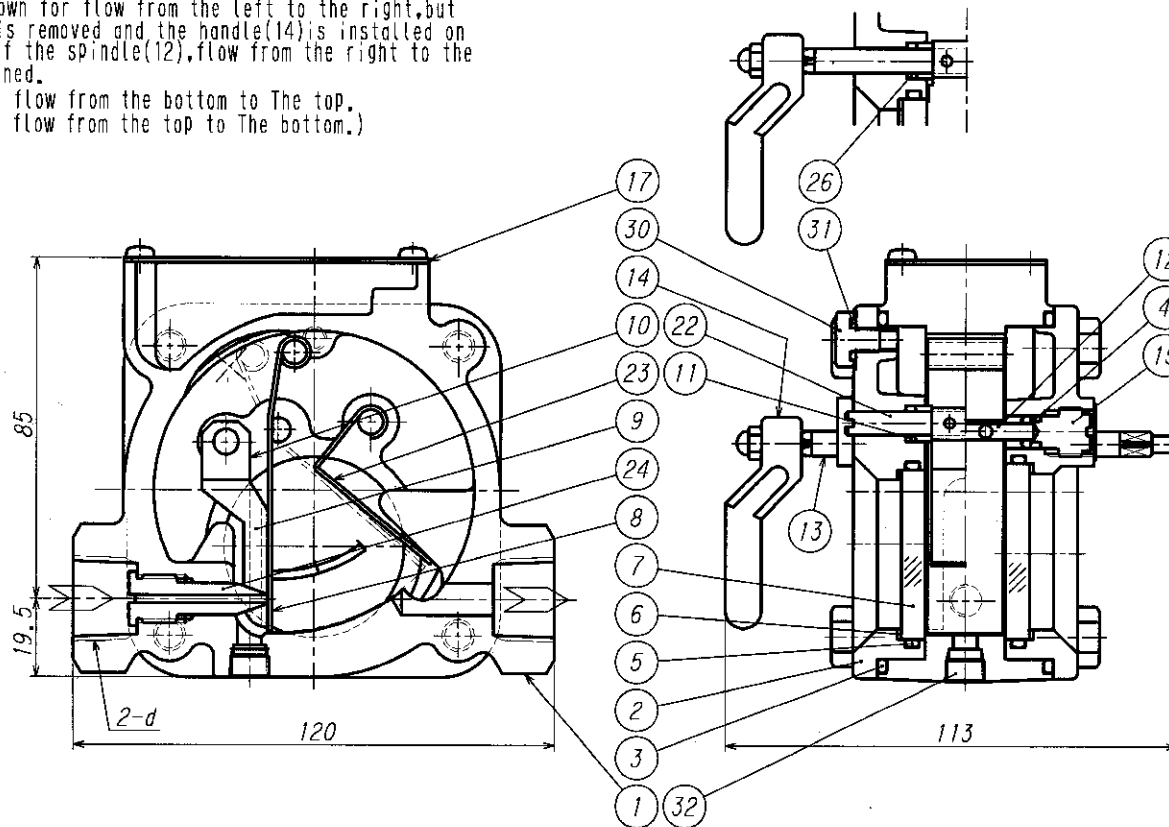


DIMENSIONS JIS B0203			
SIZE		d	
10A	$\frac{3}{8}B$	$Rc\frac{3}{8}$	
15A	$\frac{1}{2}B$	$Rc\frac{1}{2}$	

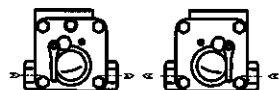
### PARTS LIST

MARK	PARTICULAR	MATERIALS	QUAN	REMARK
1	BODY	SCS13	1	
2	COVER	SCS13	2	
3	O-RING	NBR	2	
4	O-RING	NBR	2	
5	O-RING	NBR	2	
6	CUSHION GASKET	SHEET	2	*1
7	SIGHT GLASS	GLASS	2	*1
8	FLAPPER	SUS304	1	*2
9	BRUSH	NBR	2	
10	BRUSH HOLDER	SUS304	1	
11	O-RING	NBR	2	
12	SPINDLE	SUS304	1	
13	BRUSH HANDLE SHAFT	SUS304	1	
14	HANDLE	SCS13	1	
15	PIVOT PIECE	SUS304	2	
17	T. BOX COVER	C2801	1	
22	FLAPPER RETURN SHAFT	SUS304	1	
23	FLAPPER RETURN PLATE	SUS304	1	
24	NOZZLE	SUS304	1	
26	O-RING	NBR	2	
30	PLUG	SUS304	2	
31	O-RING	NBR	2	
32	PLUG	SUS304	1	$\frac{1}{8}$

This drawing is shown for flow from the left to the right, but when the cap nut is removed and the handle(14) is installed on the opposite end of the spindle(12), flow from the right to the left will be obtained.  
 (The type-U is for flow from the bottom to the top.  
 The type-D is for flow from the top to the bottom.)



\* NON ASBESTOS  
 \*1 REINFORCED  
 \*2 WITH MAGNET



Straight pipe section for guaranteeing accuracy  
 --Before and after 3D  
 (3times diameter)

第3角法 3RD ANGLE PROJECTION		DIMENSION IN mm	
尺度 SCALE	作成日 DATE	設計圧力 DESIGNED PRESS.	設計温度 DESIGNED TEMP.
NTS		1.0 MPa	80 °C
作成 DRAWN	設計 DESIGNED	確認 CHECKED	承認 APPROVED

TAIYO VALVE MFG. CO., LTD.

SU4-SSHB  
 10~15A FLOW GAGE