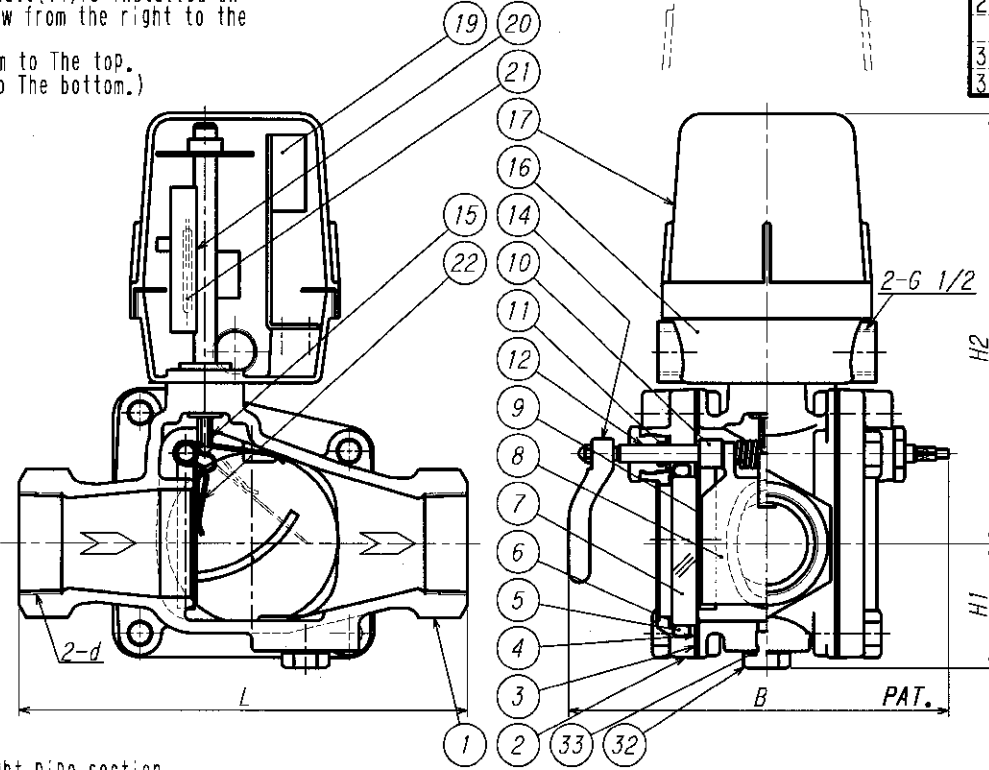
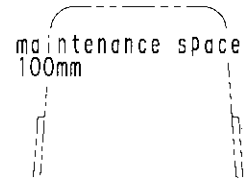


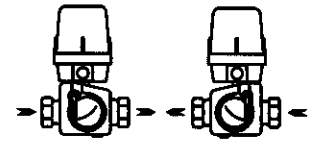
DIMENSIONS							JIS B0203
SIZE	d	L	B	H1	H2		
15A	1/2 B	Rc 1/2	120	145	38	183	
20A	3/4 B	Rc 3/4	120	145	38	183	
25A	1 B	Rc 1	140	151	42	187	
32A	1 1/4 B	Rc 1 1/4	210	178	58	202	
40A	1 1/2 B	Rc 1 1/2	210	178	58	202	

PARTS LIST				
MARK	PARTICULAR	MATERIALS	QUAN.	REMARK
1	BODY	FCD450	1	*
2	COVER	FCD450	2	*
3	GASKET	SHEET	2	*1
4	O-RING	NBR	2	
5	O-RING	NBR	2	
6	CUSHION GASKET	SHEET	2	*1
7	SIGHT GLASS	GLASS	2	*2
8	FLAPPER	SUS304	1	
9	BRUSH	NBR	2	
10	BRUSH HOLDER	SUS304	2	
11	O-RING	NBR	2	
12	SPINDLE	SUS304	1	
13	----			
14	HANDLE	SCS13	1	
15	MAGNET STEM	SUS304	1	
16	TERMINAL BOX	NYLON	1	
17	T. BOX COVER	NYLON	1	
18	----			
19	TERMINAL	PLASTICS	1	
20	R. SW. CASE	PLASTICS	1	
21	REED SWITCH		1	
22	SPRING	SUS304	1 set	
32	DRAIN PLUG	C3604	1	
33	O-RING	NBR	1	

This drawing is shown for flow from the left to the right, but when the cap nut is removed and the handle(14) is installed on the opposite end of the spindle(12), flow from the right to the left will be obtained.
 (The type-U is for flow from the bottom to The top.
 The type-D is for flow from the top to The bottom.)



* NYLON COATED
 *1 NON ASBESTOS
 *2 REINFORCED



Straight pipe section
 for guaranteeing accuracy
 ..Before and after 3D
 (3times diameter)

第3角法 3RD ANGLE PROJECTION		D MENSION mm	
尺度 SCALE	作成日 DATE	設計圧力 DESIGNED PRESS.	設計温度 DESIGNED TEMP.
NTS		1.0 MPa	80 °C
作成 DRAWN	設計 DESIGNED	確認 CHECKED	承認 APPROVED

TAIYO VALVE MFG. CO., LTD.
FCD-SR-REM
15~40A FLOW GAGE