

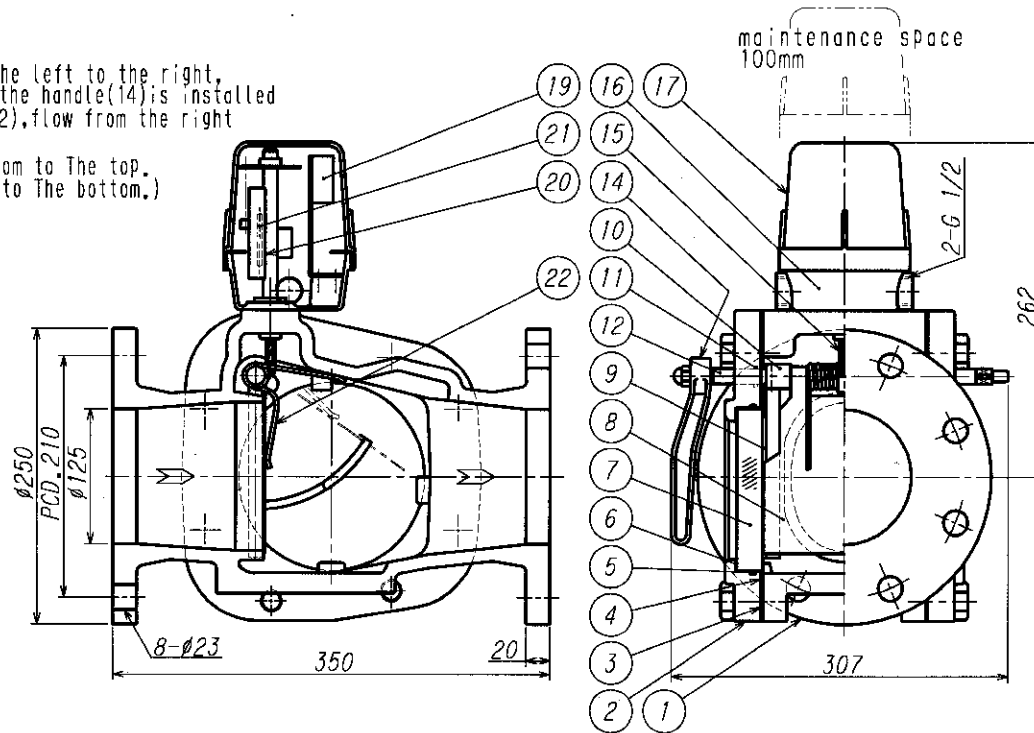
PARTS LIST

MARK	PARTICULAR	MATERIALS	QUAN	REMARK
1	BODY	SCS13	1	
2	COVER	SCS13	2	
3	GASKET	SHEET	2	*
4	O-RING	NBR	2	
5	O-RING	NBR	2	
6	CUSHION GASKET	SHEET	2	*
7	SIGHT GLASS	GLASS	2	*1
8	FLAPPER	SUS304*TP340	1	
9	BRUSH	NBR	2	
10	BRUSH HOLDER	SUS304	2	
11	O-RING	NBR	2	
12	SPINDLE	SUS304	1	
13				
14	HANDLE	FCD450	1	
15	MAGNET STEM	SUS304	1	
16	TERMINAL BOX	NYLON	1	*1
17	T. BOX COVER	NYLON	1	*1
18				
19	TERMINAL	PLASTICS	1	
20	R. SW. CASE	PLASTICS	1	
21	REED SWITCH		1	
22	SPRING	SUS304	1set	

* NON ASBESTOS
*1 REINFORCED

This drawing is shown for flow from the left to the right, but when the cap nut is removed and the handle(14) is installed on the opposite end of the spindle(12), flow from the right to the left will be obtained.
(The type-U is for flow from the bottom to the top. The type-D is for flow from the top to the bottom.)

Straight pipe section for guaranteeing accuracy
--Before and after 3D (3times diameter)



第3角法		3RD ANGLE PROJECTION		DIMENSION	
尺度	作成日	設計圧力	設計温度	mm	
SCALE	DATE	DESIGNED PRESS.	DESIGNED TEMP.		
NTS		1.0 MPa	80 °C		
作成	設計	確認	承認		
DRAWN	DESIGNED	CHECKED	APPROVED		

TAIYO VALVE MFG. CO., LTD.

SU4-FR-PLS
125A FLOW GAGE

