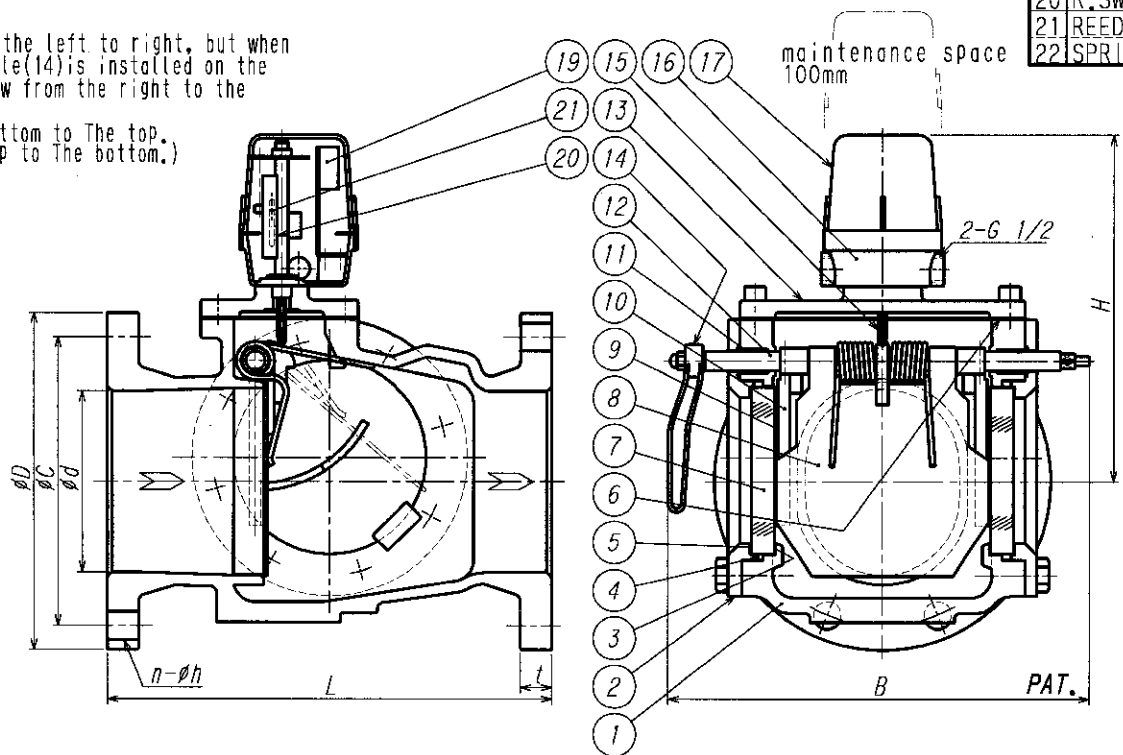


DIMENSIONS											JIS B2239 10K FF	
SIZE	d	L	B	H	D	C	t	h	n			
150A	6	B	150	360	352	290	280	240	22	23	8	
200A	8	B	200	390	425	320	330	290	22	23	12	
250A	10	B	250	435	501	364	400	355	24	25	12	
300A	12	B	300	480	609	434	445	400	24	25	16	
350A	14	B	350	540	653	458	490	445	26	25	16	
400A	16	B	400	620	705	486	560	510	28	27	16	

PARTS LIST				
MARK	PARTICULAR	MATERIALS	QUAN.	REMARK
1	BODY	SCS13	1	
2	COVER	FCD450	2	
3	CUSHION	SHEET		*
4	O-RING	NBR	2	
5	CUSHION GASKET	SHEET	2	*
6	GASKET	SHEET*NBR	1	*
7	SIGHT GLASS	GLASS	2	*1
8	FLAPPER	SUS304*TP340	1	
9	BRUSH	NBR	2	
10	BRUSH HOLDER	SUS304	2	
11	O-RING	NBR	2	
12	SPINDLE	SUS304	1	
13	COVER	SCS13	1	
14	HANDLE	FCD450	1	
15	MAGNET STEM	SUS304	1	
16	TERMINAL BOX	NYLON	1	*1
17	T. BOX COVER	NYLON	1	*1
18	-----			
19	TERMINAL	PLASTICS	1	
20	R. SW. CASE	PLASTICS	1	
21	REED SWITCH		1	
22	SPRING	SUS304	1 set	

This drawing is shown for flow from the left to right, but when the cap nut is removed and the handle(14) is installed on the opposite end of the spindle(12), flow from the right to the left will be obtained.
 (The type-U is for flow from the bottom to the top.
 The type-D is for flow from the top to the bottom.)

Straight pipe section for guaranteeing accuracy
 **Before and after 3D
 (3times diameter)



* SHEET=NON ASBESTOS
 *1 REINFORCED

第3角法		3RD ANGLE PROJECTION		DIMENSIONS IN	
尺度	作成日	設計圧力	設計温度	mm	
SCALE	DATE	DESIGNED PRESS.	DESIGNED TEMP.		
NTS		1.0 MPa	80 °C		
作成	設計	確認	承認		
DRAWN	DESIGNED	CHECKED	APPROVED		

TAIYO VALVE MFG. CO., LTD.
 SU4-FR-PLS
 150~400A FLOW GAGE

