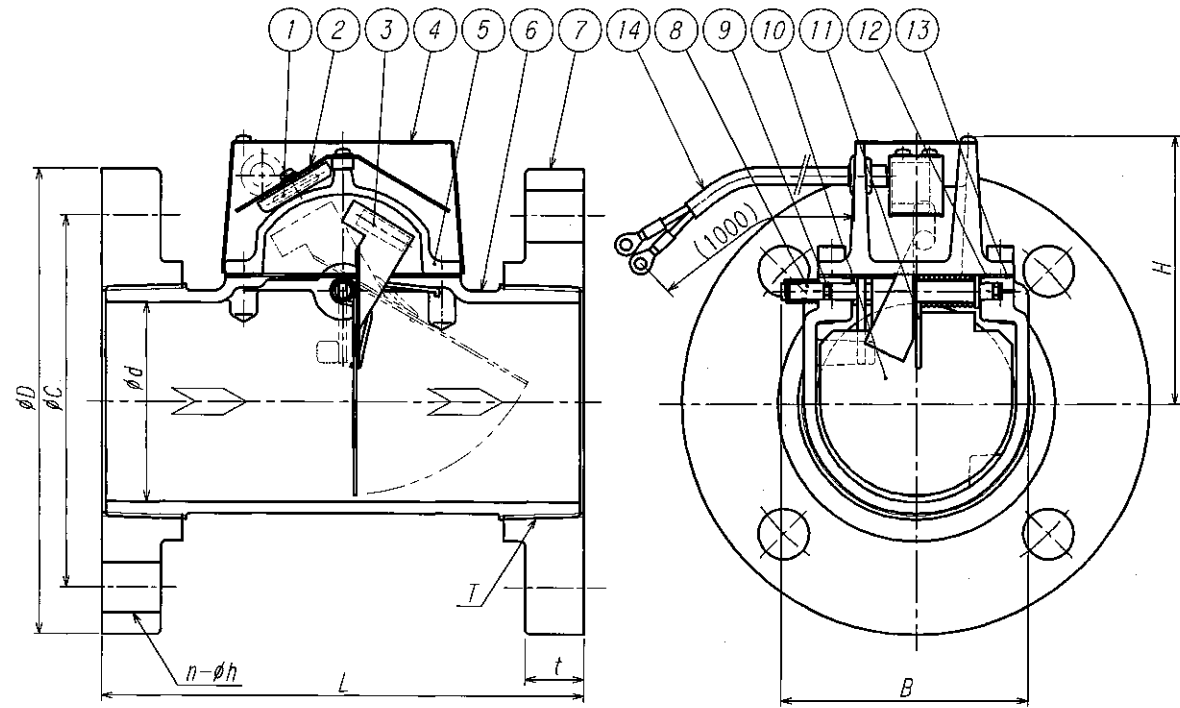


DIMENSIONS		JIS B2240 10K FF									
SIZE	d	L	B	H	D	C	t	h	n	T	
40A1 1/2 B	48	160	87	87	140	105	16	19	4	Rc2	
50A2 B	48	160	87	87	155	120	16	19	4	Rc2	
65A2 1/2 B	75	180	92	100	175	140	18	19	4	Rc3	
80A3 B	75	180	92	100	185	150	18	19	8	Rc3	

PARTS LIST				
MARK	PARTICULAR	MATERIALS	QUAN.	REMARK
1	REED SWITCH		1	*
2	BRACKET	C2801	1	
3	MAGNET	MK5	1	
4	COVER	A5052	1	
5	SWITCH BOX	CAC406	1	
6	BODY	CAC406	1	
7	FLANGE	CAC406	2	
8	SPINDLE	SUS304	1	
9	O-RING	NBR	2	
10	FLAPPER	SUS304	1	
11	SPRING	SUS304	1	SET
12	GASKET	NBR	1	
13	RETAINER	SHEET	1	*1
14	CORD	VINYL	1	

* PVC CASE
*1 NON ASBESTOS



第3角法 3RD ANGLE PROJECTION		DIMENSION	
尺度 SCALE	作成日 DATE	設計圧力 DESIGNED PRESS.	設計温度 DESIGNED TEMP.
NTS		1.0 MPa	80 °C
作成 DRAWN	設計 DESIGNED	確認 CHECKED	承認 APPROVED

◎ TAIYO VALVE MFG. CO., LTD.
BC-FMR (BC)
40~80A FLOW SWITCH

Straight pipe section
for guaranteeing accuracy
••Before and after 3D
(3times diameter)