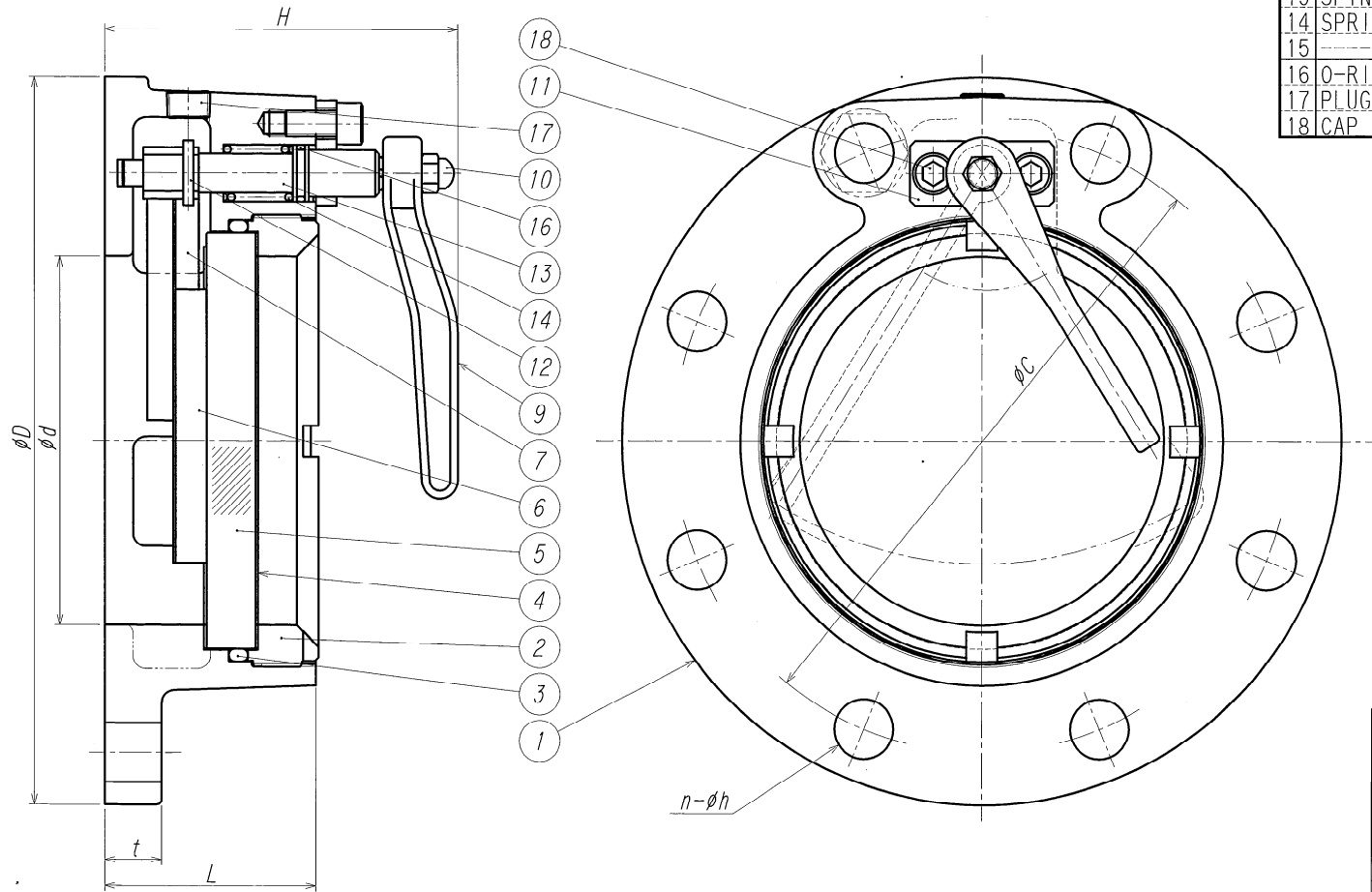


DIMENSIONS		JIS B2239 10K FF									
SIZE		d	L	H	D	C	t	h	n		
100A	4 B	99	69	113	210	175	24	19	8		
125A	5 B	124	75	127	250	210	24	23	8		
150A	5 B	142	82	137	280	240	26	23	8		

PARTS LIST				
MARK	PARTICULAR	MATERIALS	QUAN.	REMARK
1	BODY	FC200	1	
2	ADAPTER	STKM13A	1	
3	O-RING	NBR	1	
4	CUSHION GASKET	SHFFT	2	*1
5	SIGHT GLASS	GLASS	1	*1
6	BRUSH	NBR	1	
7	BRUSH HOLDER	SUS304	1	
8				
9	HANDLE	SCS13*FCD450	1	
10	CAP NUT	SS400	1	
11	GLAND	SS400	1	
12	SPRING PIN	SUS304	1	
13	SPINDLE	SUS304	1	
14	SPRING	SWP	1	
15				
16	O-RING	NBR	1	
17	PLUG	SUS304	1	*2
18	CAP SCREWS	SCM435	1 SET	

\* NON ASBESTOS  
 \*1 REINFORCED  
 \*2 100A=1/4, 125/150A=3/8



第3角法 3RD ANGLE PROJECTION		DIMENSION IN mm	
尺度 SCALE	作成日 DATE	設計圧力 DESIGNED PRESS.	設計温度 DESIGNED TEMP.
NTS		1.0 MPa	80 °C
作成 DRAWN	設計 DESIGNED	確認 CHECKED	承認 APPROVED
TAKAO	Kuririn	Habayashi	
⊙ TAIYO VALVE MFG. CO., LTD.			
FC-FY 10K 100~150A SIGHT GLASS			