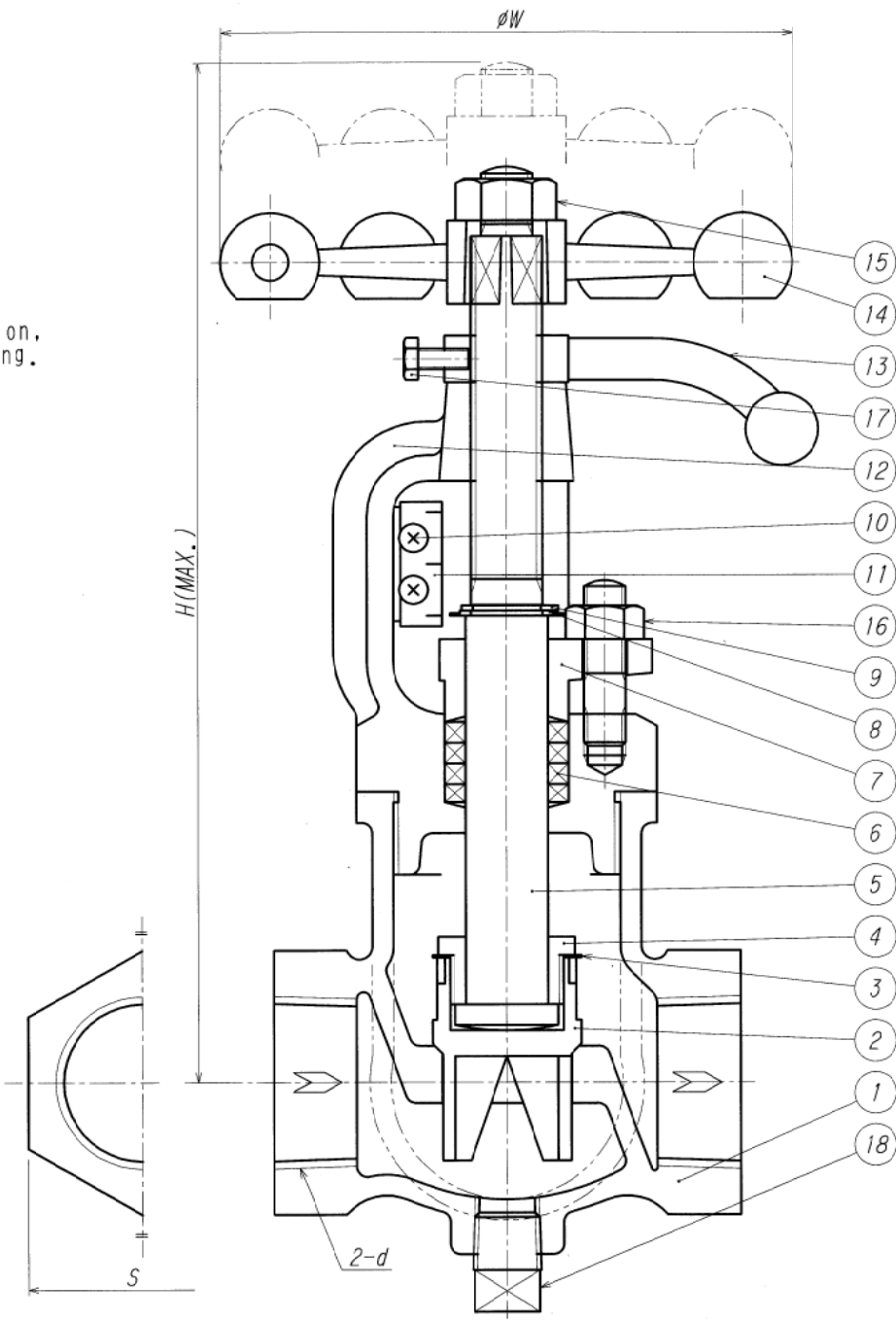
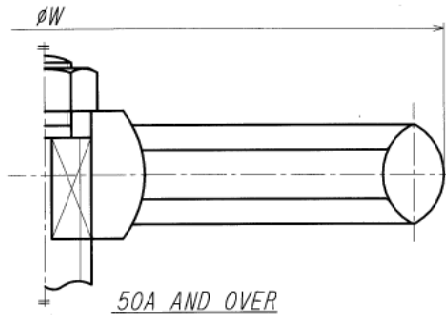


(12) YOKE COVER For (1) BODY in the position, around 45° may deviates from this drawing.



PARTS LIST

MARK	PARTICULAR	MATERIALS	QUAN.	REMARK
1	BODY	CAC406	1	
2	DISC	CAC406	1	
3	DETENT	C5191	1	
4	DISC NUT	C3604	1	
5	STEM	C6191	1	
6	GLAND PACKING	V#7233	1set	
7	GLAND	CAC406	1	
8	INDICATOR	C2801	1	
9	SNAP RING	SUS304	1	
10	MACHINE SCREW	C3604	2	
11	PLATE	C2801	1	
12	YOKE COVER	CAC406	1	
13	LOCK LEVER	CAC406	1	
14	HANDLE	ZDC	1	*
15	NUT	SS400	1	
16	STUD BOLT.NUT	SS400	2set	
17	SET BOLT	SS400	1	
18	PLUG	C3604	1	

* 50A AND OVER=FCMB

DIMENSIONS JIS B0203

SIZE	d	L	H	S	W
20A $\frac{3}{4}$ B Rc $\frac{3}{4}$	80	154	35	70	
25A 1 B Rc 1	90	195	44	70	
32A $1\frac{1}{4}$ B Rc $1\frac{1}{4}$	110	213	54	90	
40A $1\frac{1}{2}$ B Rc $1\frac{1}{2}$	130	234	60	100	
50A 2 B Rc 2	160	289	74	125	

第3角法 3RD ANGLE PROJECTION		DIMENSION IN mm	
尺度 SCALE	作成日 DATE	設計圧力 DESIGNED PRESS.	設計温度 DESIGNED TEMP.
NTS		1.0 MPa	80 °C
作成 DRAWN	設計 DESIGNED	確認 CHECKED	承認 APPROVED
TAKAO	<i>Numata</i>	<i>Kakayoshi</i>	

TAIYO VALVE MFG. CO., LTD.

BC-S with LOCK HANDLE & INDICATOR
20~50A 4V-PORT CONTROL VALVE